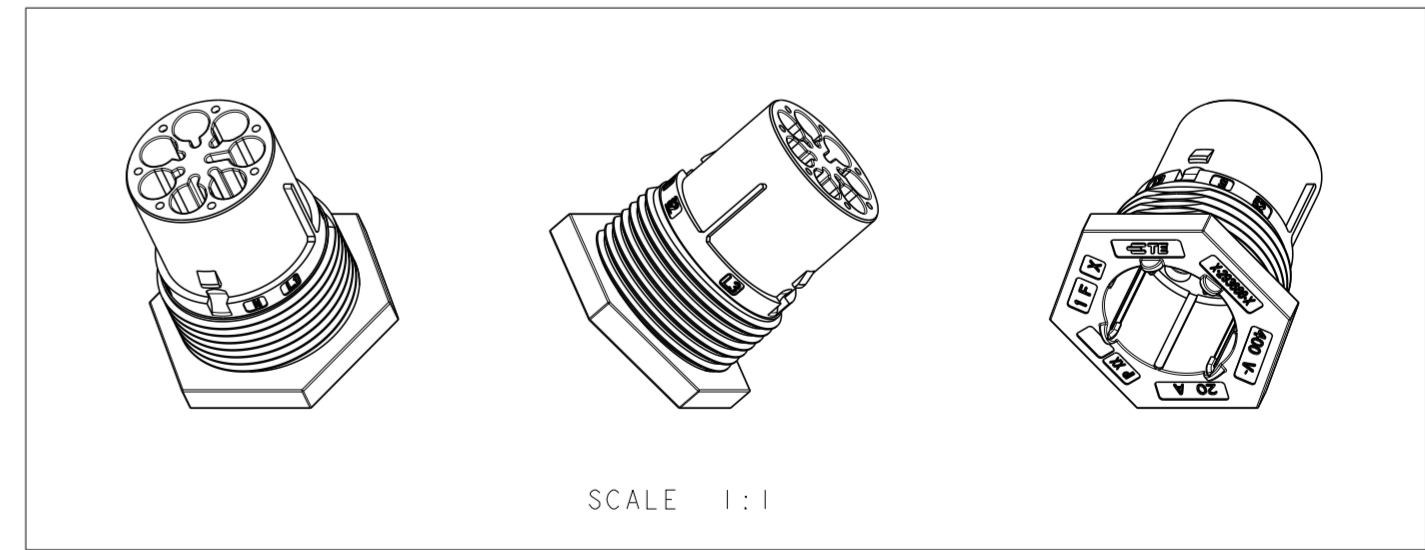
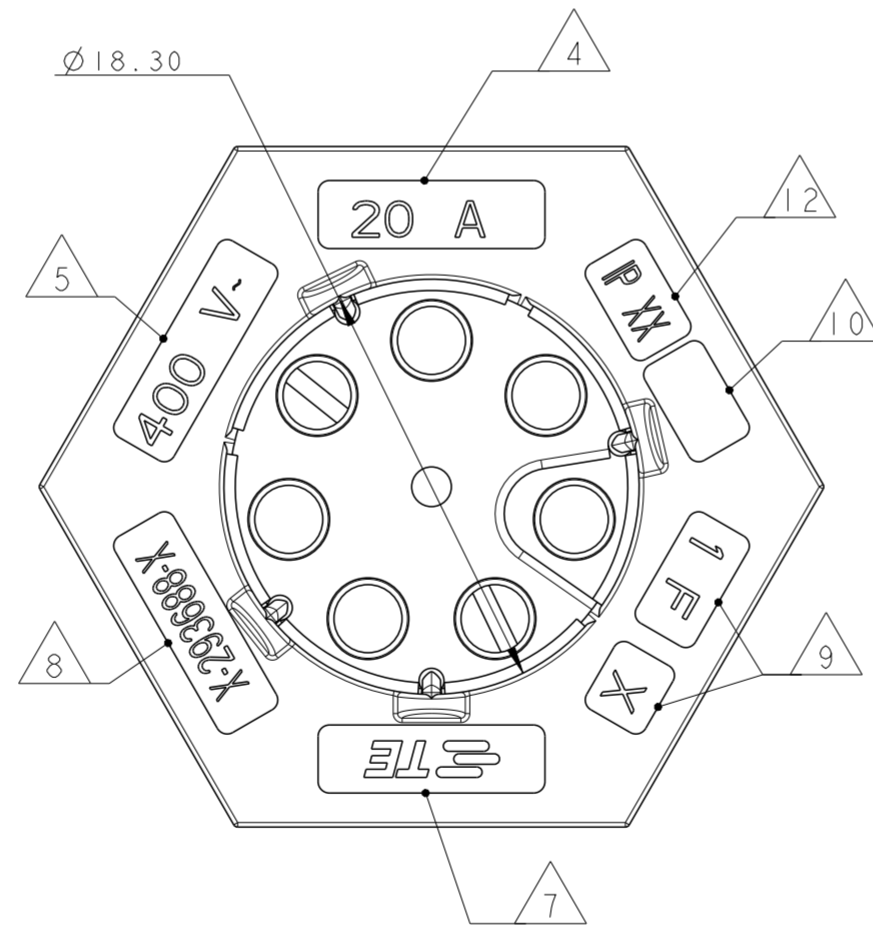
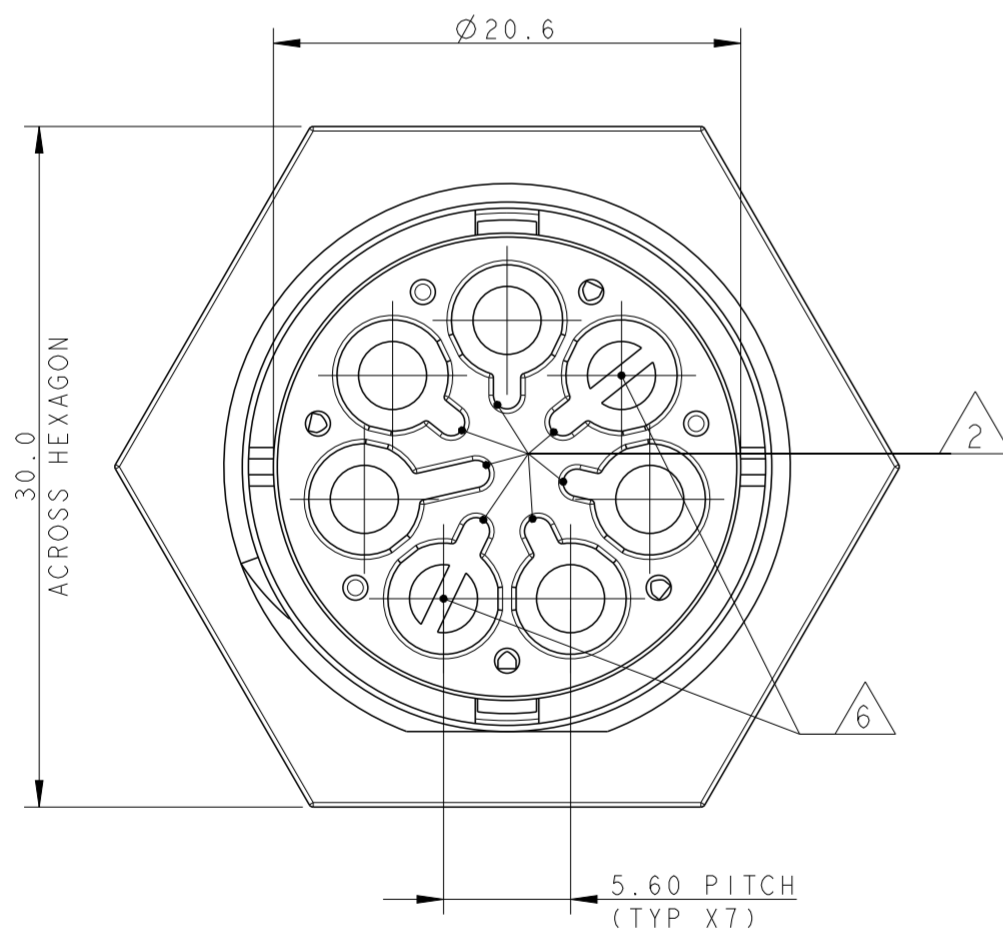
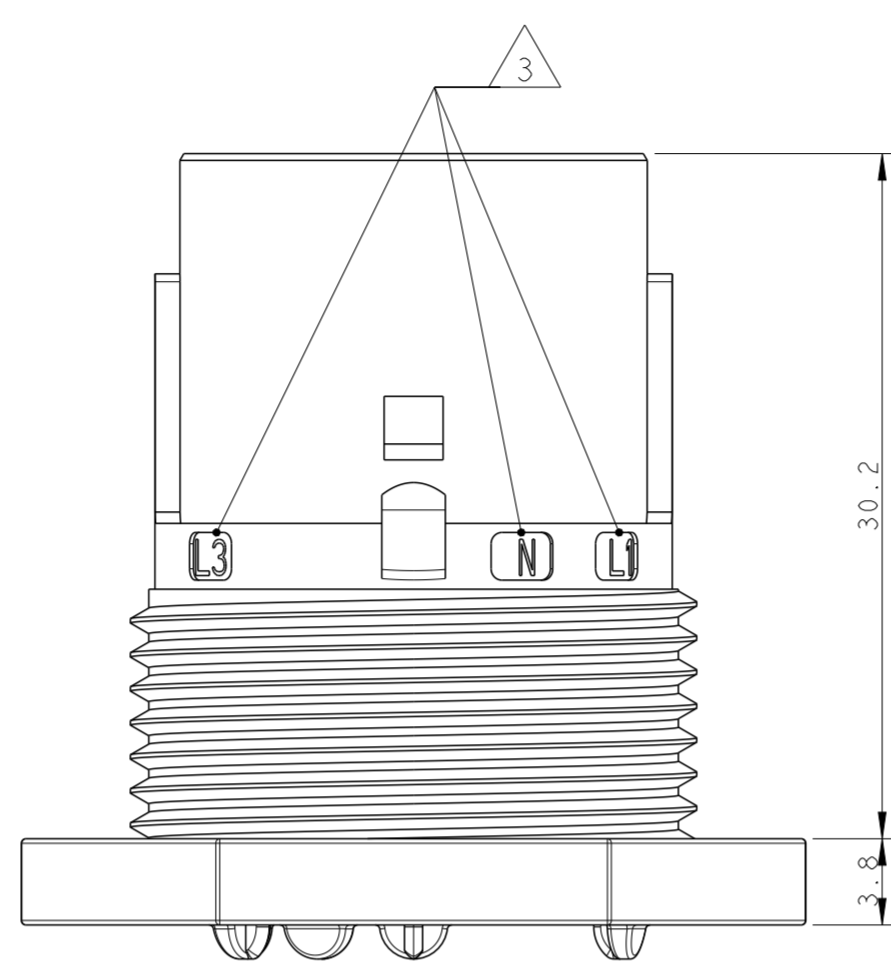
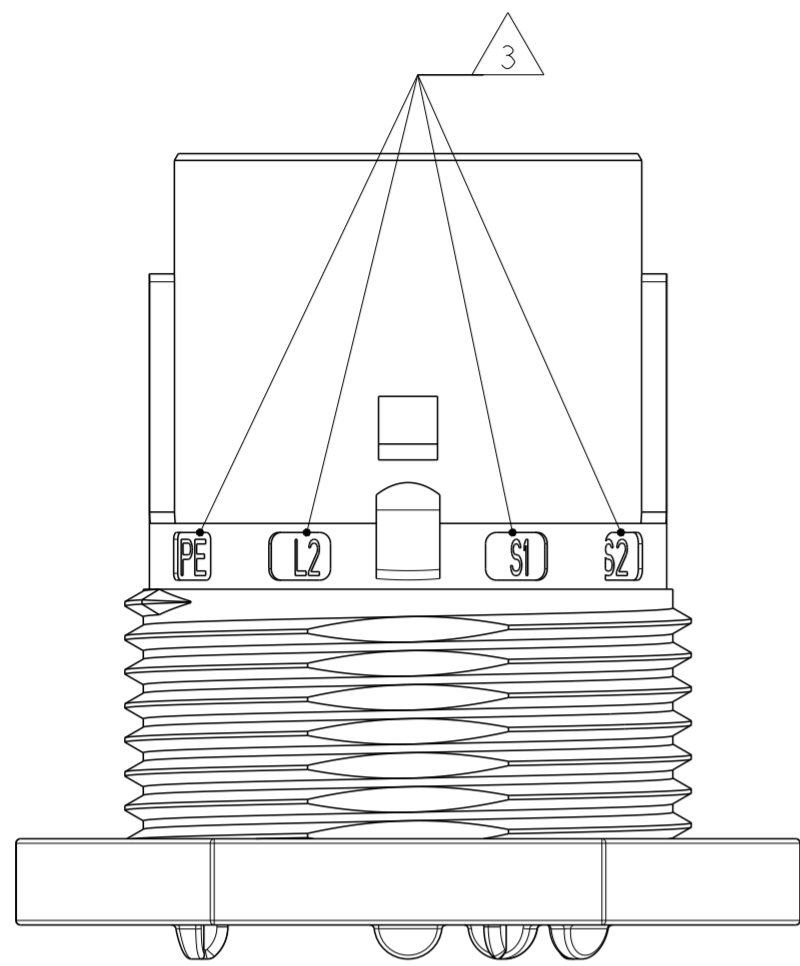


THIS DRAWING IS UNPUBLISHED.      RELEASED FOR PUBLICATION      2011  
 © COPYRIGHT 2011      ALL RIGHTS RESERVED.

LOC	DIST	REVISIONS					
		P	LTR	DESCRIPTION	DATE	DWN	APVD
		4		REVISED	02MAY2013	KR	JC
		5		UPDATED	22JUL2013	MZ	JC
		6		REVISED LATCH SHAPE	09AUG2013	KR	JC
		A		PARTS RELEASED FOR PRODUCTION	13NOV2013	MZ	JC

NOTES:

- 1 MATERIAL: PA GF (NATURAL AND BLACK COLOUR)
  - 2 ALL POLARIZATION KEYS SHOWN FOR REF ONLY
  - 3 WAYS I.D.
  - 4 CURRENT RATING
  - 5 VOLTAGE RATING
  - 6 RIB CLOSING CAVITIES BY CHANGE OVER
  - 7 TE LOGO
  - 8 TE PART NUMBER
  - 9 DATA CODE AND CAVITY I.D.
  - 10 AREA FOR AGENCIES APPROVAL LOGO
- 11) SEE C-DRAWING 293682 (LOCKING CAP) TO GET IP 40
- 12 IP CODE
  - 13 POLARISATION KEY "TYPE D" SUITABLE FOR DALI APPLICATION



THIS DRAWING IS A CONTROLLED DOCUMENT.		DWN	M. ZUCCA	01APR2011	<b>STE</b> TE Connectivity
		CHK	M. ZUCCA	01APR2011	
		APVD	G. TURCO	01APR2011	
		PRODUCT SPEC			
DIMENSIONS:	TOLERANCES UNLESS OTHERWISE SPECIFIED:	APPLICATION SPEC		NAME PIN HOUSING PANEL MOUNT NECTOR* M-LINE 5 POLES UNSEALED VERSION	
mm	0 PLC ± 1 PLC ±0.3 2 PLC ±0.20 3 PLC ± 4 PLC ± ANGLES ±3° FINISH			SIZE   CAGE CODE   DRAWING NO   RESTRICTED TO	
MATERIAL		WEIGHT		A20779C-293688	
		Customer Drawing		SCALE 3:1	SHEET 1 OF 3 REV A

THIS DRAWING IS UNPUBLISHED. RELEASED FOR PUBLICATION 2011  
 © COPYRIGHT 2011 ALL RIGHTS RESERVED.

LOC	DIST	REVISIONS			
P	LTR	DESCRIPTION	DATE	DWN	APVD
	-	SEE SHEET 1	-	-	-

### POLARIZATION TYPES

POLARIZATION TYPE "A"



PNs 0-293688-1 AND  
1-293688-1

POLARIZATION TYPE "B"



PNs 0-293688-2 AND  
1-293688-2

POLARIZATION TYPE "C"



PNs 0-293688-3 AND  
1-293688-3

POLARIZATION TYPE "D"



PNs 0-293688-4 AND  
1-293688-4

POLARIZATION TYPE "E"



PNs 0-293688-5 AND  
1-293688-5

TABLE 1

NOTE	POL. KEYING	COLOUR	DESCRIPTION	REV.	P/N
	E	BLACK	PIN HSG 5 POLES PANEL MOUNT NECTOR* M-LINE	A	1-293688-5
	D	BLACK	PIN HSG 5 POLES PANEL MOUNT NECTOR* M-LINE	A	1-293688-4
	C	BLACK	PIN HSG 5 POLES PANEL MOUNT NECTOR* M-LINE	A	1-293688-3
	B	BLACK	PIN HSG 5 POLES PANEL MOUNT NECTOR* M-LINE	A	1-293688-2
	A	BLACK	PIN HSG 5 POLES PANEL MOUNT NECTOR* M-LINE	A	1-293688-1
	E	NATURAL	PIN HSG 5 POLES PANEL MOUNT NECTOR* M-LINE	A	0-293688-5
	D	NATURAL	PIN HSG 5 POLES PANEL MOUNT NECTOR* M-LINE	A	0-293688-4
	C	NATURAL	PIN HSG 5 POLES PANEL MOUNT NECTOR* M-LINE	A	0-293688-3
	B	NATURAL	PIN HSG 5 POLES PANEL MOUNT NECTOR* M-LINE	A	0-293688-2
	A	NATURAL	PIN HSG 5 POLES PANEL MOUNT NECTOR* M-LINE	A	0-293688-1

THIS DRAWING IS A CONTROLLED DOCUMENT.

DWN	M. ZUCCA	01APR2011
CHK	M. ZUCCA	01APR2011
APVD	G. TURCO	01APR2011

**STE** TE Connectivity

NAME: PIN HOUSING PANEL MOUNT  
NECTOR\* M-LINE 5 POLES  
UNSEALED VERSION

SIZE	CAGE CODE	DRAWING NO	RESTRICTED TO
A2	0779	C-293688	-

Customer Drawing SCALE 3:1 SHEET 2 OF 3 REV A

DIMENSIONS:	TOLERANCES UNLESS OTHERWISE SPECIFIED:
mm	0 PLC ± 1 PLC ±0.3 2 PLC ±0.20 3 PLC ± 4 PLC ± ANGLES ±3° FINISH
MATERIAL	-

THIS DRAWING IS UNPUBLISHED. RELEASED FOR PUBLICATION 2011  
 © COPYRIGHT 2011 ALL RIGHTS RESERVED.

LOC		DIST		REVISIONS			
P	LTR	DESCRIPTION	DATE	DWN	APVD		
-	-	SEE SHEET 1	-	-	-		



### PANEL/WALL SUGGESTED LAYOUT



THIS DRAWING IS A CONTROLLED DOCUMENT.		DWN M. ZUCCA 01APR2011	TE Connectivity	
DIMENSIONS: mm		CHK M. ZUCCA 01APR2011		
TOLERANCES UNLESS OTHERWISE SPECIFIED:		APVD G. TURCO 01APR2011	NAME PIN HOUSING PANEL MOUNT NECTOR* M-LINE 5 POLES UNSEALED VERSION	
0 PLC ±		PRODUCT SPEC	SIZE CAGE CODE DRAWING NO	
1 PLC ±0.3		APPLICATION SPEC	RESTRICTED TO	
2 PLC ±0.20		WEIGHT	A200779C-293688	
3 PLC ±		Customer Drawing	SCALE 3:1 SHEET 3 OF 3 REV A	
4 PLC ±				
ANGLES ±3°				
FINISH				